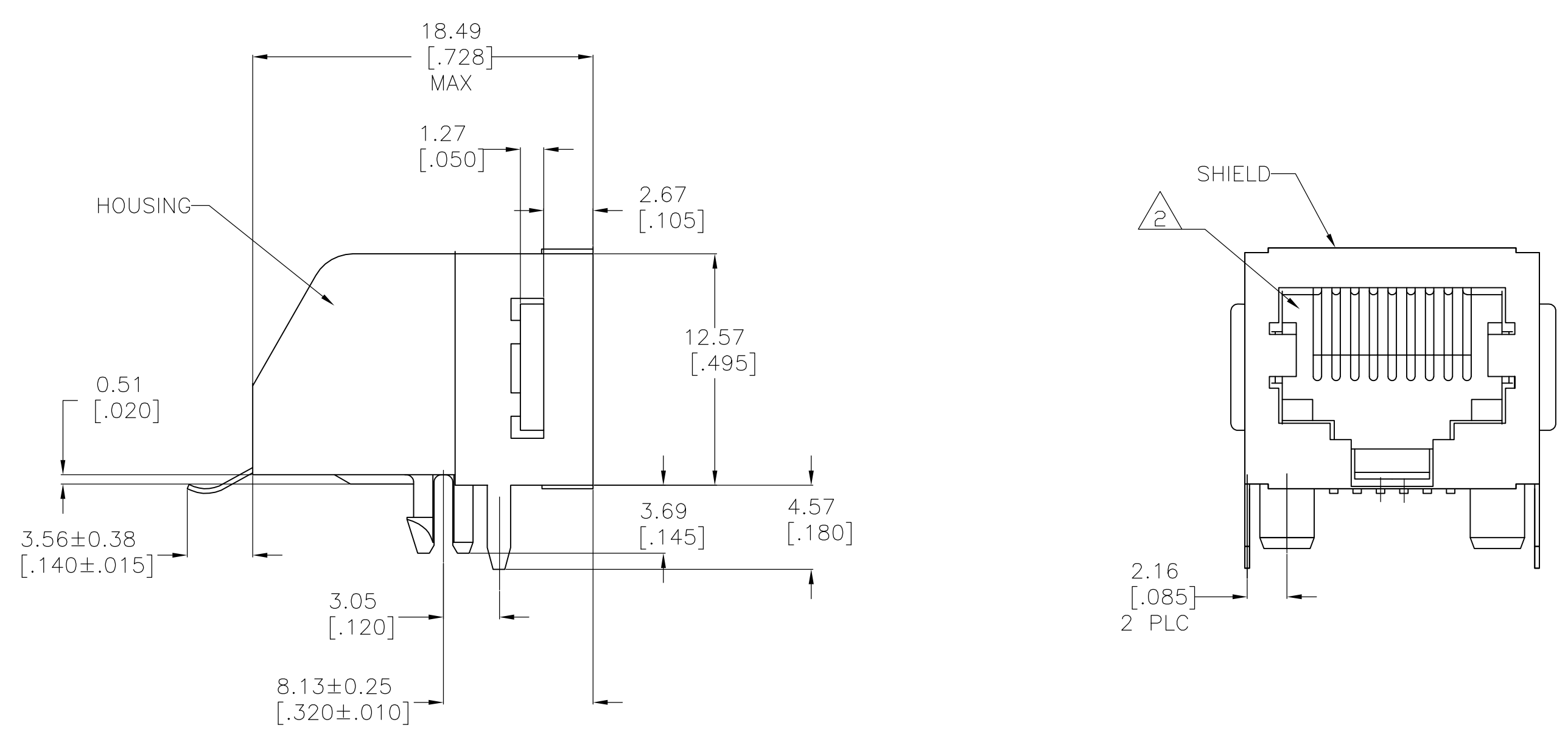
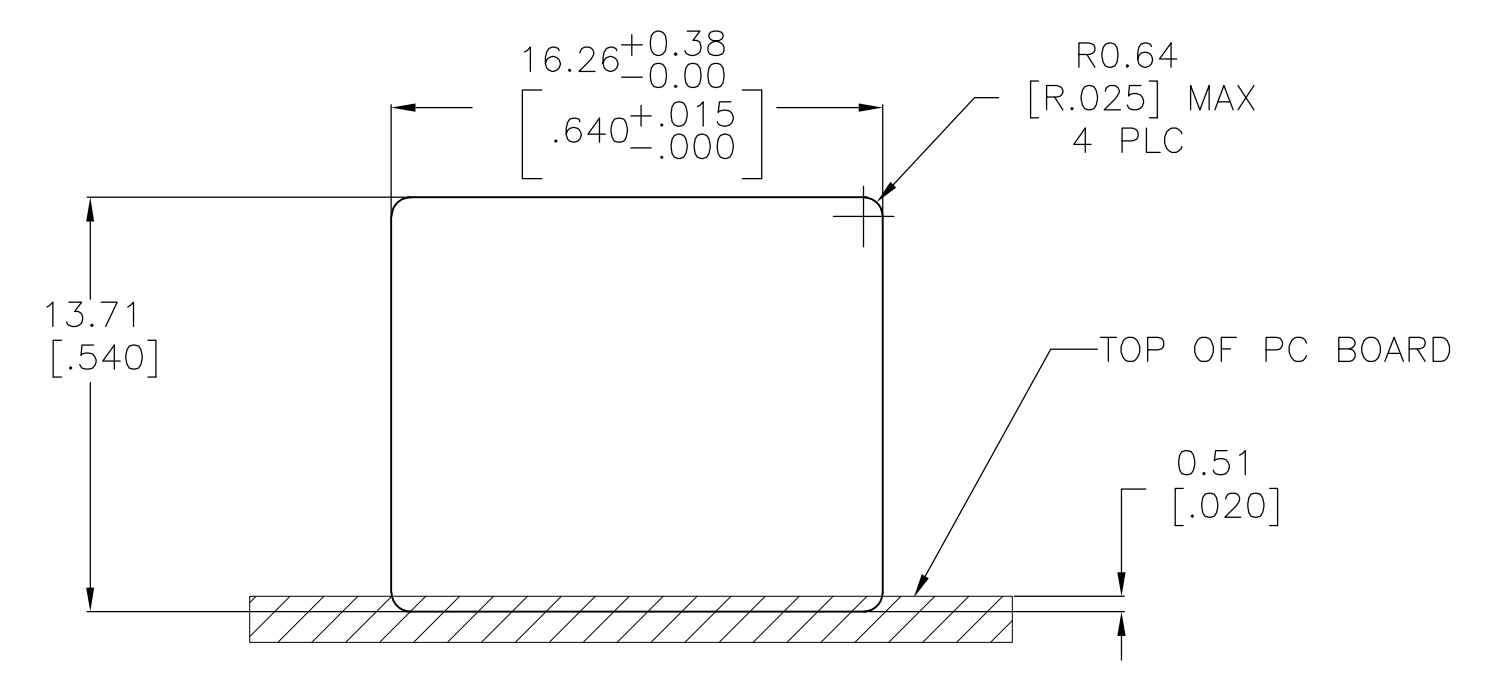
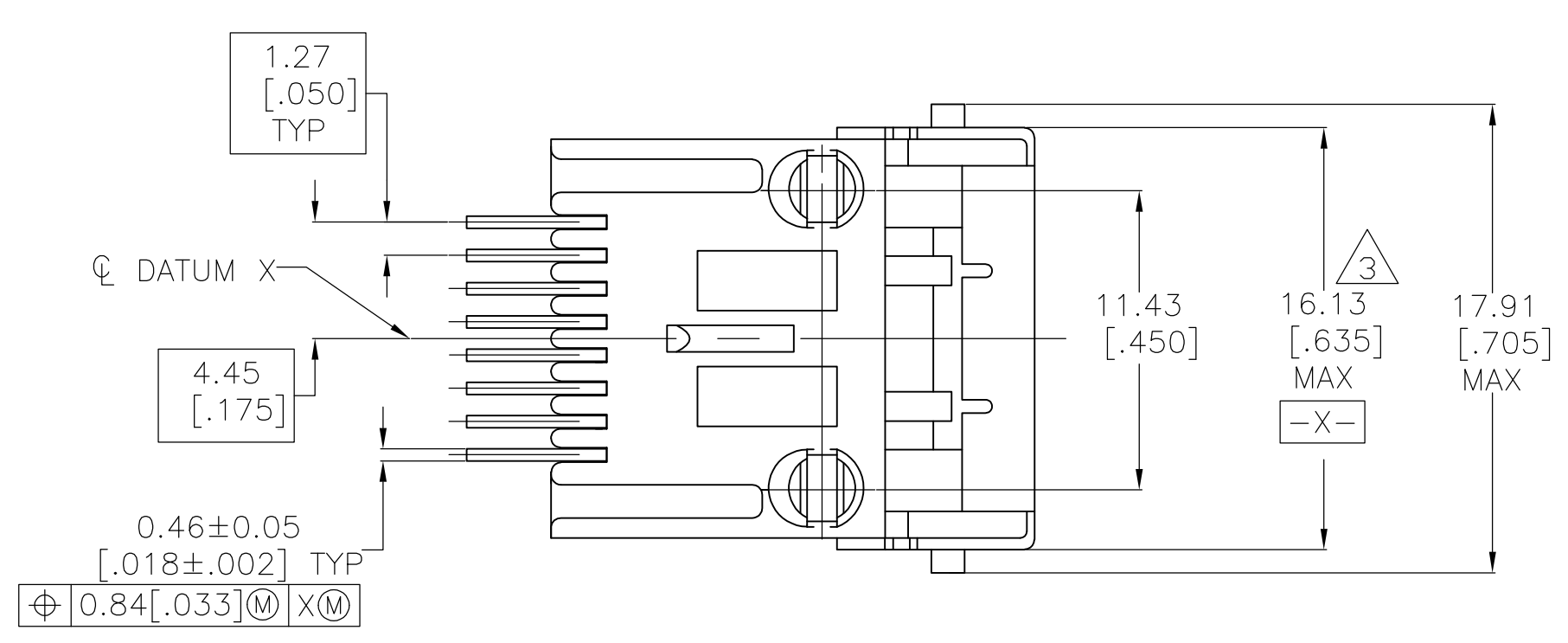


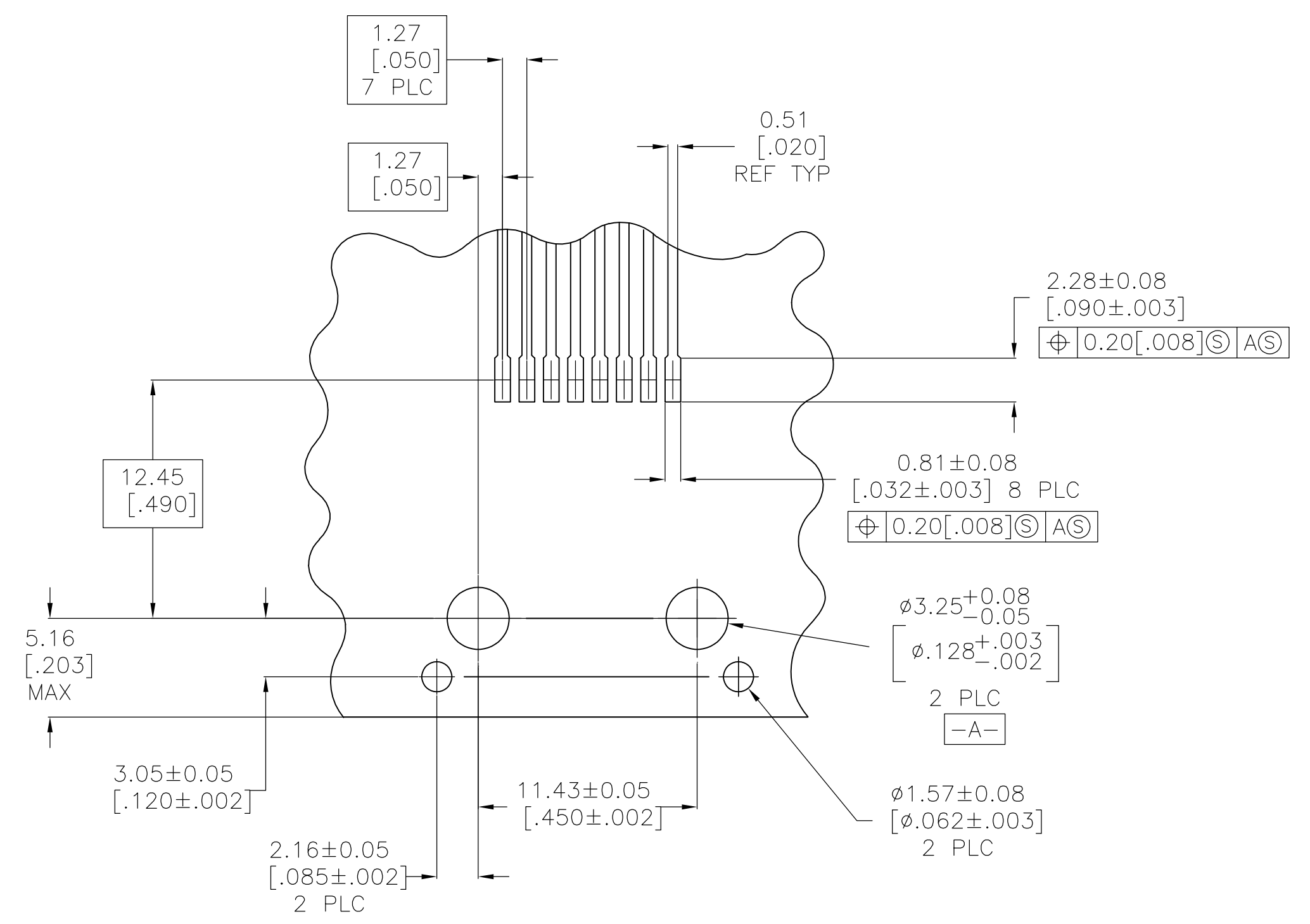
| LOC |                           | DIST    |     | REVISIONS |  |  |  |
|-----|---------------------------|---------|-----|-----------|--|--|--|
| P   | LTR                       | DATE    | DMN | APVD      |  |  |  |
| D1  | REVISED PER ECO-11-005140 | 28MAR11 | RK  | HMR       |  |  |  |



- MATERIAL:  
HOUSING - HTN NYLON MOLDING COMPOUND, 94 VO, COLOR: BLACK  
TERMINAL - 0.36[.014] THICK PHOS-BRONZE  
PLATED WITH 1.27µm[.000050] MINIMUM THICK HARD  
GOLD IN LOCALIZED GOLD PLATE AREA AND  
3.81µm[.000150] MINIMUM THICK MATTE TIN IN  
SOLDER AREA OVER 1.27µm[.000050] THICK MINIMUM  
NICKEL UNDERPLATE.  
SHIELD - 0.25[.010] THICK COPPER ALLOY PLATED  
WITH 3.0µm[.000120] MINIMUM REFLOWED TIN
- CAVITY CONFORMS TO FCC RULES AND  
REGULATIONS, PART 68, SUBPART F
- DIMENSION MEASURED ALONG FRONT EDGES OF MATING FACE
- PACKAGING TAPE AND REEL: (PER EIA 481 SPECIFICATION)  
TAPE: 44[1.73] WIDE  
POCKET DEPTH: 17.65[.695]  
POCKET PITCH: 32[1.26]  
CLEAR PSA TAPE TRAILER 160[6.30] MIN LENGTH  
PLASTIC REEL DIA 330[13.0]  
PIECES PER REEL: 100
- SNAP-IN RETENTION FEATURE ACCOMMODATES  
1.44-1.71 [.062±.005] THICK PRINTED  
CIRCUIT BOARD.



RECOMMENDED PANEL CUTOUT



RECOMMENDED PRINTED CIRCUIT BOARD LAYOUT  
(COMPONENT SIDE)

|                  |                |             |
|------------------|----------------|-------------|
| SUPERSEDED BY -1 | TAPE & REEL    | 5558178-2   |
|                  | TRAY           | 5558178-1   |
|                  | PACKAGING TYPE | PART NUMBER |

|  |  |  |  |  |  |
|--|--|--|--|--|--|
| THIS DRAWING IS A CONTROLLED DOCUMENT. |  | DIN R GRZYBOWSKI 08NOV2004             |  | TE Connectivity                                |  |
| DIMENSIONS: mm [INCHES]                |  | TOLERANCES UNLESS OTHERWISE SPECIFIED: |  | NAME   |  |
| 0 PLC ± -                              |  | 1 PLC ± -                              |  | S FLICKINGER                                   |  |
| 1 PLC ± -                              |  | 2 PLC ± 0.13[.005]                     |  | PRODUCT SPEC                                   |  |
| 2 PLC ± -                              |  | 3 PLC ± -                              |  | 108-1163                                       |  |
| 3 PLC ± -                              |  | 4 PLC ± -                              |  | APPLICATION SPEC                               |  |
| 4 PLC ± -                              |  | ANGLES ± 1°                            |  | 114-6040                                       |  |
| MATERIAL SEE NOTE 1                    |  | FINISH SEE NOTE 1                      |  | SIZE CASE CODE DRAWING NO RESTRICTED TO        |  |
|  |  |  |  | A1 00779 5558178                               |  |
|  |  |  |  | CUSTOMER DRAWING SCALE 4:1 SHEET 1 OF 1 REV D1 |  |